

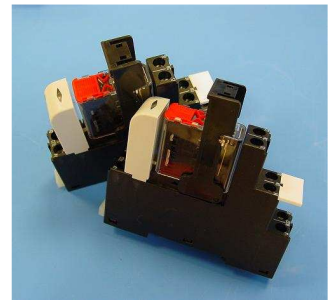
# Interface-Relay SGR 282TFMS

# Power – PCB-Relay with test button 2 pole 8A

# ELESTA

## Technical Data

Contact Data		
Type of Contact		Single Contact
No. of Contacts		2C
Rated Voltage / Max. Switching Voltage	VAC	250
Rated Current	A	8
Rated Breaking Capacity (cos φ = 1)	VA	2.000
Switching Load (Min.)	VDC / mA	5 / 10
Contact Material		AgCuNi



- mounted Interface-Relay
- easily exchangeable
- for 35mm DIN rail
- integrated test button

General Data		
Mechanical Life	> Operations	50 x 10 <sup>6</sup>
Electrical Life at Rated Voltage	> Operations	1 x 10 <sup>5</sup>
Max. Switching Frequency	Operations / h	360
Operate Time / Release Time	approx. in ms	8 / 3
Bounce Time A / B	approx. in ms	0,5 / 5
Test Voltage Contact / Coil	≥ VAC <sub>eff</sub>	5000
Test Voltage Contact Open	≥ VAC <sub>eff</sub>	1000
Test Voltage Contact Poles	≥ VAC <sub>eff</sub>	2500
Vibration Resistance A / B (10-55Hz)		10g / 1,5g
Creeping-/Leakage Distace	mm	14
Insulation IEC 60664	- Rated Voltage (VAC)	250
	- Degree of Pollutin	2
	- Excess Voltage Category	III
Insulation Group / Rated Voltage (VDE 0110b 2/79)		C / 250
Ambient Temperature	°C	- 40...+ 75/+ 105
Approvals		VDE ; UL ; CUR
Weight	gr.	20

Coil at + 20°C		
Rated Voltage	VDC	24
Power Consumption (DC - Coil)	approx. W	0,5

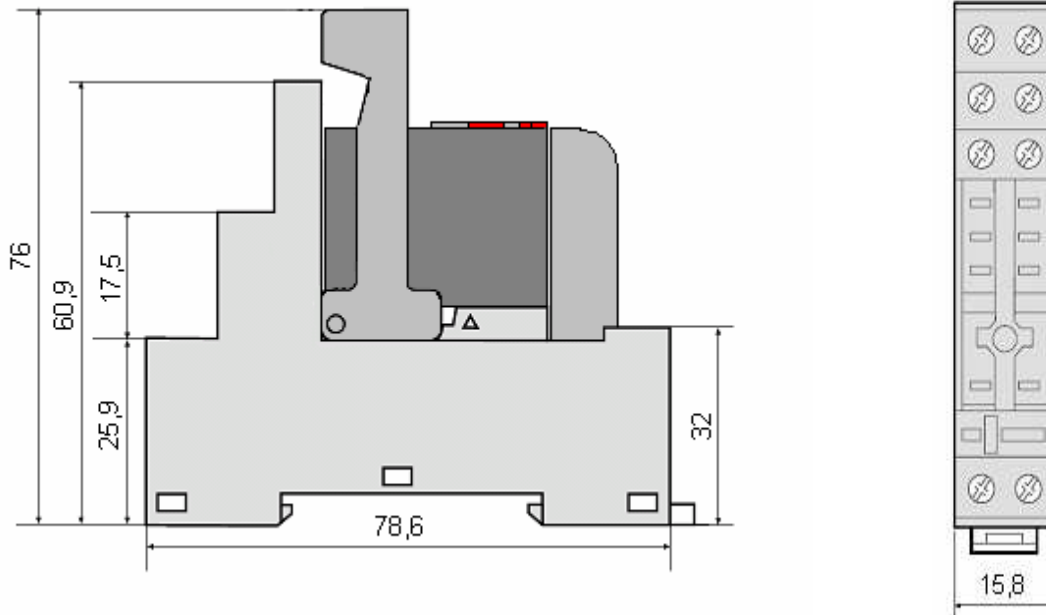
DC - Coil (0,5 W)				
U <sub>N</sub> (V)	R (Ohm)	U <sub>AN</sub> (V)	U <sub>AB</sub> (V)	I <sub>N</sub> (mA)
24	1100 ± 10%	≤ 18,0	≥ 1,2	21,80

**Interface-Relay  
SGR 282TFMS**

**Power – PCB-Relay with test button  
2 pole 8A**

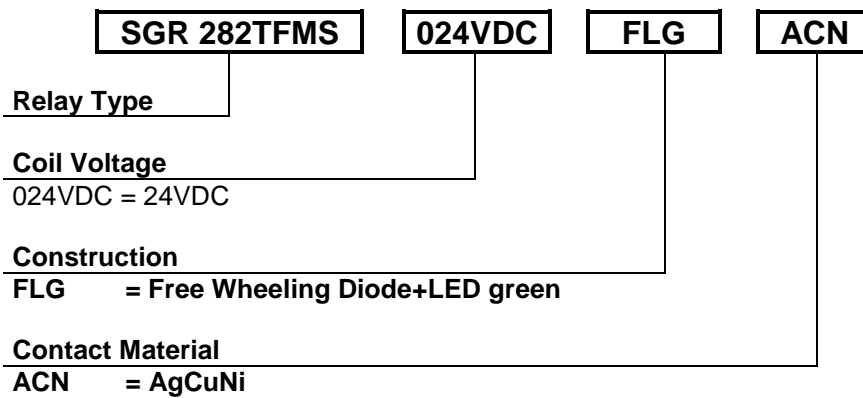
**ELESTA**

**Dimension Diagram**

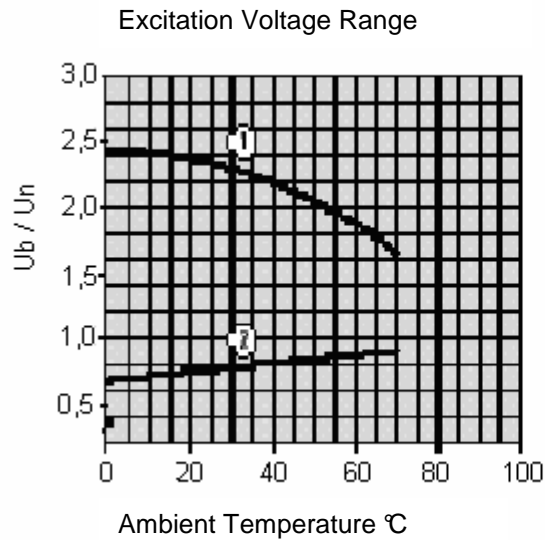


All measure in mm.

**Order Type**



Electrical Specification



- Single relay on PCB, no heat accumulation on PCB by self heating from other components.
- Continuous duty 100%

1) Max. excitation voltage without contact load

2) Min. excitation voltage (guaranteed values) without previous operation