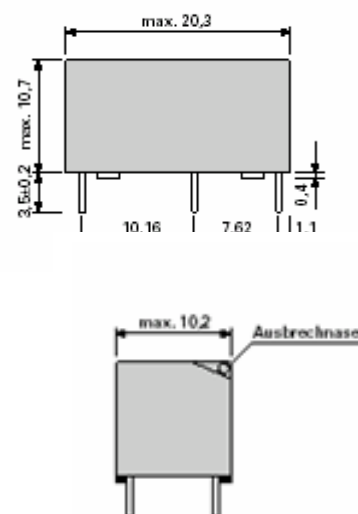


**Technical Data**

Contact Data		
Type of Contact		Single Contact
No. of Contacts		1C / 1A / 1B
Rated Voltage / Max. Switching Voltage	VAC	250 / 380
Rated Current	A	5
Rated Breaking Capacity (cos φ = 1)	VA / W	1250 / 60 - 144
Switching Load (Min.)	VDC / mA	5 / 100
Contact Material		AgNi, AgSnO



**Dimension Diagram**



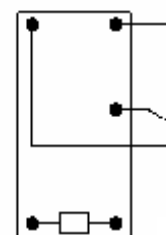
General Data		
Mechanical Data	> Operations	2 x 10 <sup>7</sup>
Electrical Life at Rated Voltage	> Operations	1 x 10 <sup>5</sup>
Max. Switching Frequency	Operations / h	360
Operate Time / Release Time	approx. in ms	5 / 5
Test Voltage Contact / Coil	≥ VAC <sub>eff</sub>	4000
Test Voltage Contact Open	≥ VAC <sub>eff</sub>	1000
Creeping-/Leakage Distance	mm	5,5 / 4,5
Insulation IEC 60664	- Rated Voltage (VAC)	250
	- Degree of Pollutin	3
	- Excess Voltage Category	III
Insulation Group / Rated Voltage (VDE 0110b 2/79)		C / 250
Ambient Temperature	°C	- 40...+ 85
Approvals		VDE, C-UL
Weight	gr.	5

Coil at + 20°C		
Rated Voltage	VDC	3...48
Power Consumption (DC - Coil)	approx. W	0,36
Max. Actuating Voltage	VDC	2,2 x U <sub>N</sub>

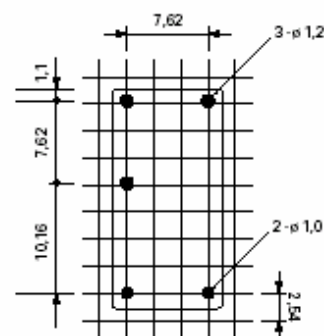
DC-Coil (0,36 W)			
U <sub>N</sub> (V)	R (Ohm)	U <sub>AN</sub> (V)	U <sub>AB</sub> (V)
3	25 ± 10%	≤ 2,25	≥ - 2,25
5	70 ± 10%	≤ 3,7	≥ - 3,7
12	400 ± 10%	≤ 9,4	≥ - 9,4
18	900 ± 10%	≤ 13,5	≥ - 13,5
24	1600 ± 10%	≤ 18,0	≥ - 18,0
36	3600 ± 10%	≤ 27,0	≥ - 27,0
48	6400 ± 10%	≤ 33,0	≥ - 33,0

Other coil tension on request.

**Schematic Diagram**

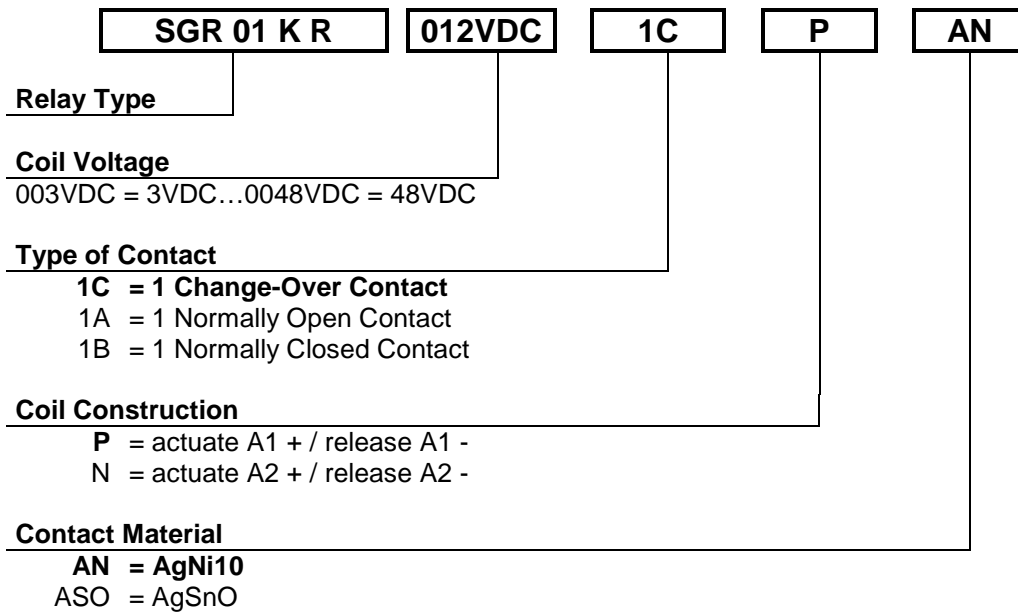


Top View



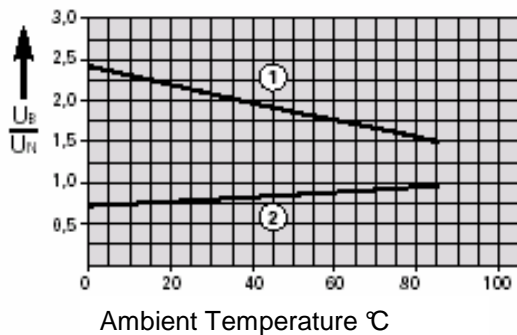
View on circuit points. All measure in mm.

Order Type



Electrical Specification

Excitation Voltage Range



- Single relay on PCB, no heat accumulation on PCB by self heating from other components.
- Continuous duty 100%

- 1) Max. excitation voltage without contact load
- 2) Min. excitation voltage (guaranteed values) without previous operation