

Technical Data

Contact Data

Type of Contact	Single Contact	
No. of Contacts	1C / 1A	
Rated Voltage / Max. Switching Voltage	VAC / VDC	240 / 110
Rated Current	A	15
Rated Breaking Capacity (cos φ = 1)	VA	1800
Switching Load (Min.)	VDC / mA	5 / 15
Contact Material	AgSnO	

General Data

Mechanical Life	> Operations	1×10^8
Electrical Life at Rated Voltage	> Operations	1×10^5
Max. Switching Frequency	Operations / h	1800
Operate Time / Release Time	approx. in ms	10 / 5
Test Voltage Contact / Coil	$\geq VAC_{eff}$	1000
Test Voltage Contact Open	$\geq VAC_{eff}$	500
Ambient Temperature	°C	-30...+55
Approvals	VDE**, C-UL, TÜV	
Weight	gr.	9

** in the pipeline

Coil at + 20°C

Rated Voltage	VDC	3...48
Power Consumption (DC - Coil)	approx. W	0,36 (0,45)*
Max. Actuating Voltage	VDC	$1,3 \times U_N$

*48VDC Coil

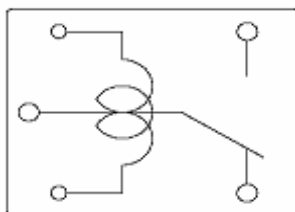
DC-Coil (0,36 W)

U_N (V)	R (Ohm)	U_{AN} (V)	U_{AB} (V)	I_N (mA)
3	$25 \pm 10\%$	$\leq 2,25$	$\geq 0,15$	120
5	$70 \pm 10\%$	$\leq 3,75$	$\geq 0,25$	73
6	$100 \pm 10\%$	$\leq 4,50$	$\geq 0,30$	60
9	$225 \pm 10\%$	$\leq 6,75$	$\geq 0,45$	40
12	$400 \pm 10\%$	$\leq 9,00$	$\geq 0,60$	30
18	$900 \pm 10\%$	$\leq 13,50$	$\geq 0,90$	20
24	$1600 \pm 10\%$	$\leq 18,00$	$\geq 1,20$	15

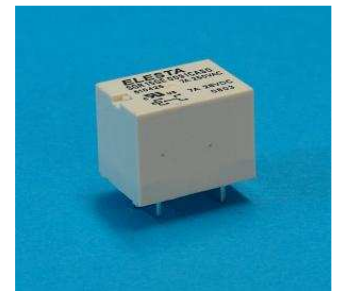
DC-Coil (0,45 W)

U_N (V)	R (Ohm)	U_{AN} (V)	U_{AB} (V)	I_N (mA)
48	$6400 \pm 10\%$	$\leq 38,4$	$\geq 2,4$	7,5

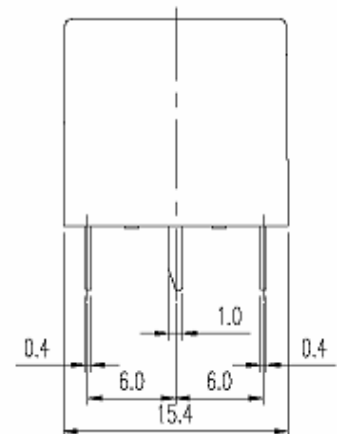
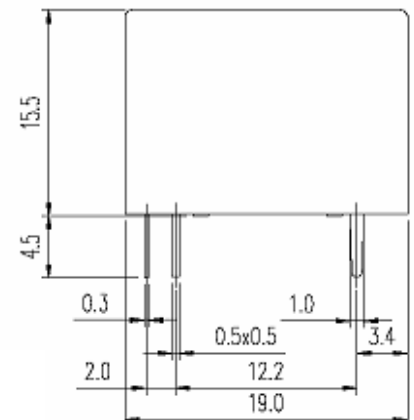
Other coil tensions on request.



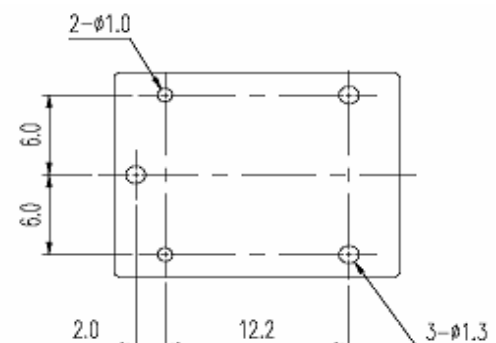
View on circuit points. All measure in mm.



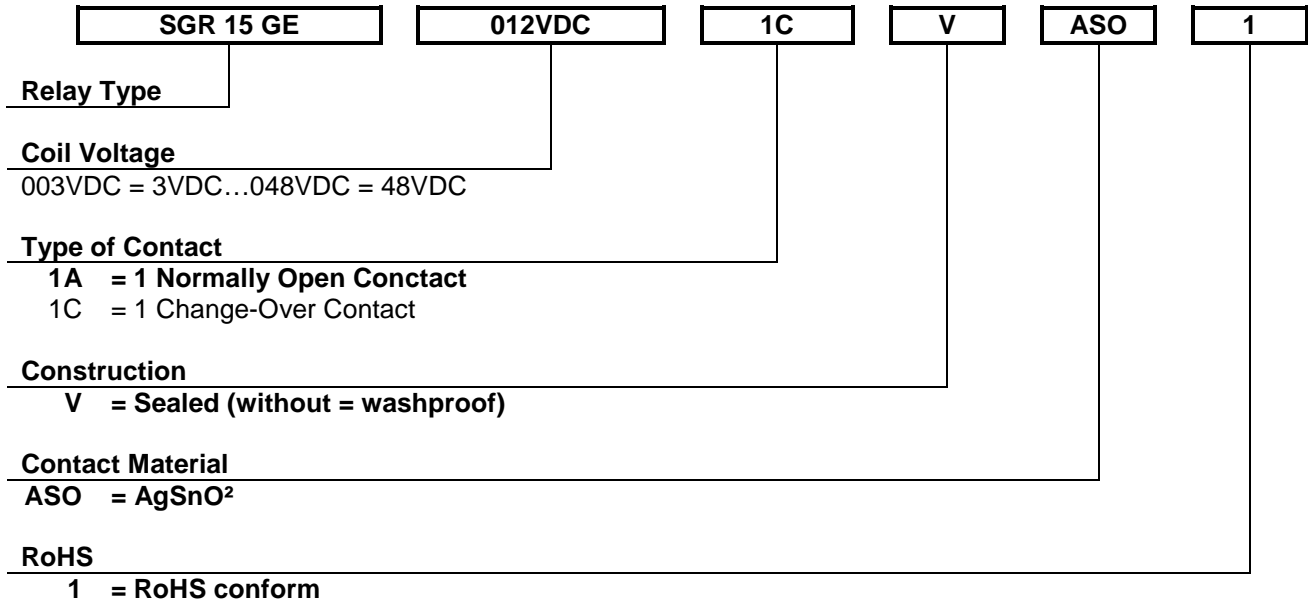
Dimension Diagram



Schematic Diagram



Order Type



Electrical Specification

