

PCB-Relay Power – PCB-Relay
SGR 300 GL ... 2 pole 10A 5,0 mm

ELESTA

Technical Data

Contact Data

Type of Contact	Single Contact
No. of Contacts	2C
Rated Voltage / Max. Switching Voltage VAC / VDC	250 / 30
Rated Current A	10
Contact Material	AgSnO

General Data

Mechanical Life	> Operations	1×10^7
Electrical Life at Rated Voltage	> Operations	1×10^5
Operate Time / Release Time	approx. in ms	15 / 5
Test Voltage Contact / Coil	$\geq VAC_{eff}$	5000
Test Voltage Contact Open	$\geq VAC_{eff}$	1000
Ambient Temperature	°C	-40...+85
Approvals		VDE**, UL, TÜV
Weight	gr.	18

** in the pipeline

Coil at + 20°C

Rated Voltage	VDC	5...110
Power Consumption (DC - Coil)	approx. W	0,56 (0,75)
Max. Actuating Voltage	VDC	$1,1 \times U_N$

*110VDC Coil

DC-Coil (0,56 W)

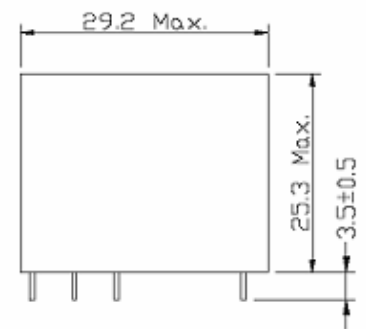
U_N (V)	R (Ohm)	U_{AN} (V)	U_{AB} (V)	I_N (mA)
5	$47 \pm 10\%$	$\leq 3,75$	$\geq 0,5$	106,0
6	$68 \pm 10\%$	$\leq 4,50$	$\geq 0,61$	88,0
12	$275 \pm 10\%$	$\leq 9,00$	$\geq 1,2$	44,0
24	$1100 \pm 10\%$	$\leq 18,00$	$\geq 2,4$	22,0
48	$4170 \pm 10\%$	$\leq 36,00$	$\geq 4,8$	11,5
60	$7000 \pm 10\%$	$\leq 45,00$	$\geq 6,0$	8,6

DC-Coil (0,75 W)

U_N (V)	R (Ohm)	U_{AN} (V)	U_{AB} (V)	I_N (mA)
110	$16200 \pm 10\%$	$\leq 82,50$	$\geq 11,0$	7,0

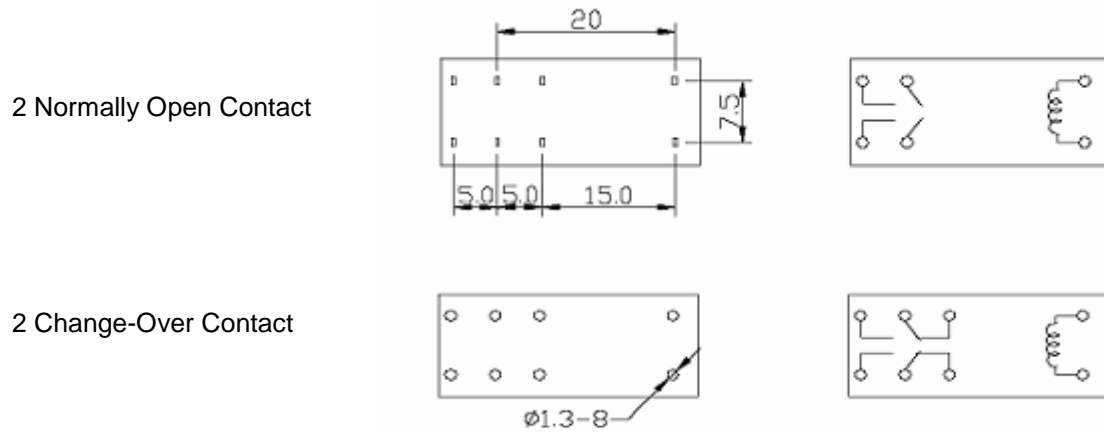
Other coil tensions on request.

Dimension Diagram



All measure in mm.

Schematic Diagram



View on circuit points. All measure in mm.

Order Type

	SGR 300 GL	012VDC	2A	V	ASO	1
Relay Type						
Coil Voltage	005VDC = 5VDC...110VDC = 110VDC					
Type of Contact	2A = 2 Normally Open Contact 2C = 2 Change-Over Contact					
Ausführung	Ohne = Washproof IP42 V = Sealed IP67					
Contact Material	ASO = AgSnO²					
RoHS	1 = RoHS conform					