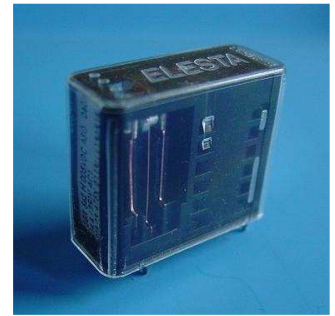


PCB-Relay
SGR 562 / 542 / 522

Power – PCB-Relay
1 pole 8A

ELESTA

Technical Data



Contact Data

Type of Contact	Parallel Contact	
No. of Contact	1C / 1A / 1B	
Rated Voltage / Max. Switching Voltage	VAC	250 / 440
Rated Current	A	16
Inrush Current	A	50
Rated Breaking Capacity (cos φ = 1)	VA	4000
Contact Material	AgCuNi; AgCdO; AgSnO; +Au	
Contact Resistance	mΩ	50

General Data

Mechanical Life	> Operations	50 x 10 ⁶
Electrical Life at Rated Voltage	> Operations	2 x 10 ⁵
Max. Switching Frequency	Operations / h	360
Operate Time / Release Time	approx. in ms	8 / 3
Bounce Time A / B	approx. in ms	0,5 / 5
Test Voltage Contact / Coil	≥ VAC _{eff}	5000
Test Voltage Contact Open	≥ VAC _{eff}	1000
Vibration Resistance A / B (10-55Hz)		10g / 1,5g
Creeping-/Leakage Distance	mm	14
Insulation IEC 60664	- Rated Voltage (VAC)	250
	- Degree of Pollutin	2
	- Excess Voltage Category	III
Insulation Group / Rated Voltage (VDE 0110b 2/79)		C / 250
Ambient Temperature	°C	- 40...+ 70
Temperature of Soldering Bath	°C / s	270 / 5
Approvals		VDE; UL; CUR
Weight	gr.	20

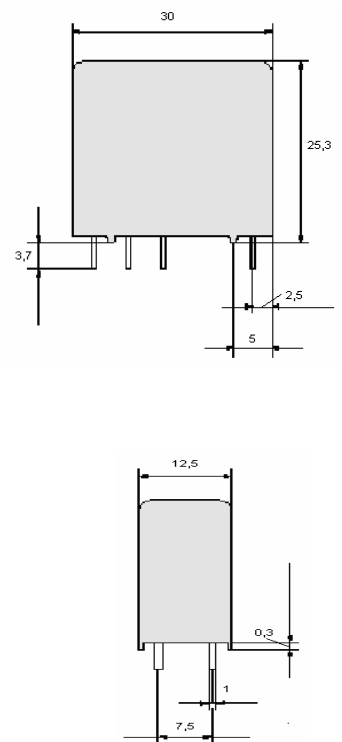
Coil at + 20°C

Rated Voltage	VDC	6...110
Power Consumption (DC - Coil)	approx. W	0,5

DC-Standard Coil (0,5 W)

U _N (V)	R Ω (Ohm)	U _{AN} (V)	U _{AB} (V)	I _N (mA)
6	70 ± 10%	≤ 4,5	≥ 0,3	85,70
12	270 ± 10%	≤ 9,0	≥ 0,6	44,40
24	1100 ± 10%	≤ 18,0	≥ 1,2	21,80
48	4400 ± 13%	≤ 36,0	≥ 2,4	10,90
60	6850 ± 15%	≤ 45,0	≥ 3,0	8,75
110	20000 ± 15%	≤ 82,5	≥ 5,5	5,50

Dimension Diagram

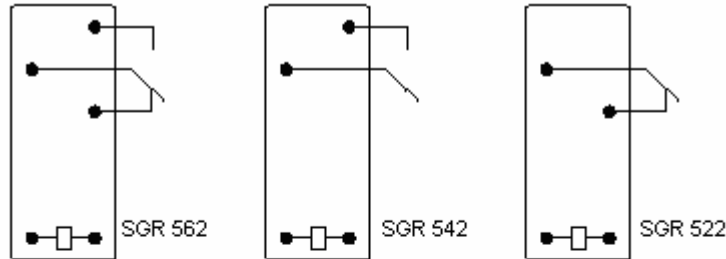


All measure in mm.

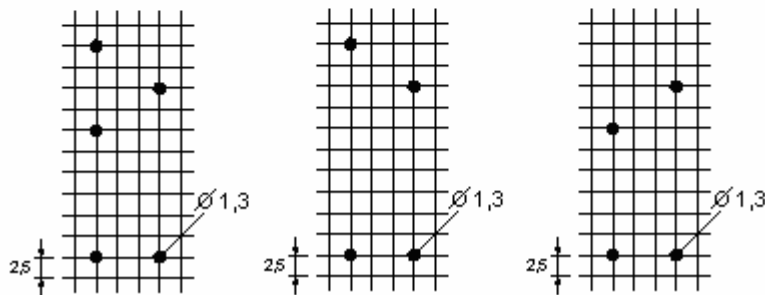
Other coil tensions on request.

Schematic Diagram

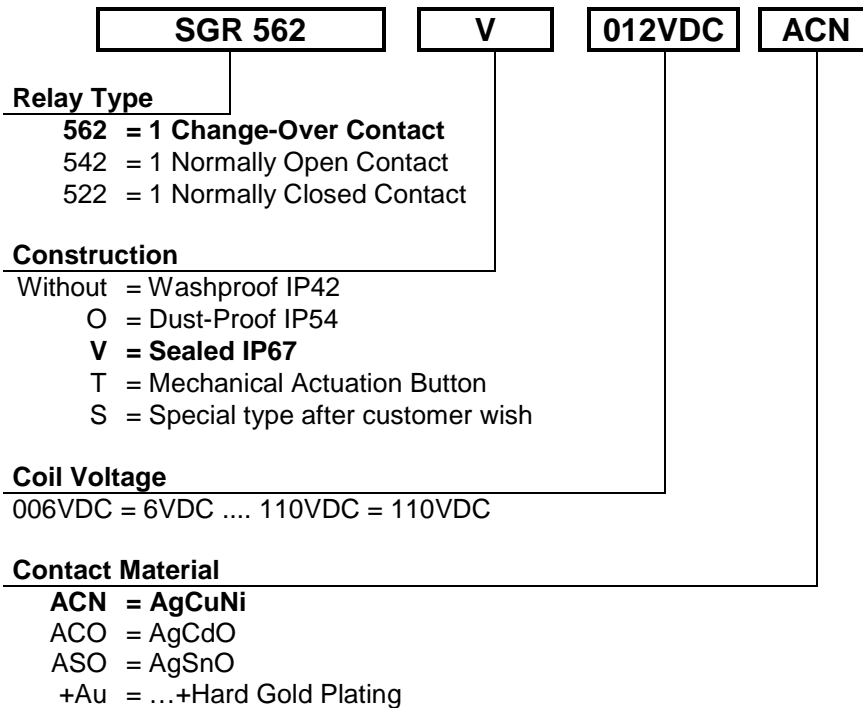
Top View



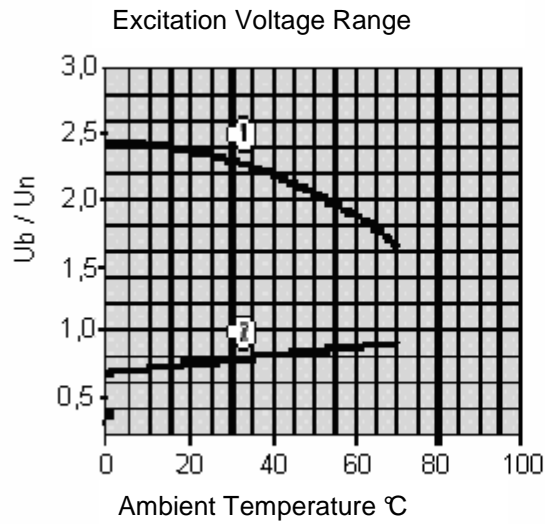
View of the solder side. All measure in mm.



Order Type



Electrical Specification



- Single relay on PCB, no heat accumulation on PCB by self heating from other components.
- Continuous duty 100%

1) Max. excitation voltage without contact load

2) Min. excitation voltage (guaranteed values) without previous operation