

Technical Data

Contact Data		
Type of Contact		Single Contact
No. of Contacts		1C
Rated Voltage / Max. Switching Voltage	VAC / VDC	400 / 300
Rated Current	A	8
Rated Breaking Capacity (cos φ = 1)	VA	2000
Switching Load (Min.)	VDC / mA	24 / 100
Contact Material		AgSnO <sub>2</sub> ; AgCdO, AgCdO +Au

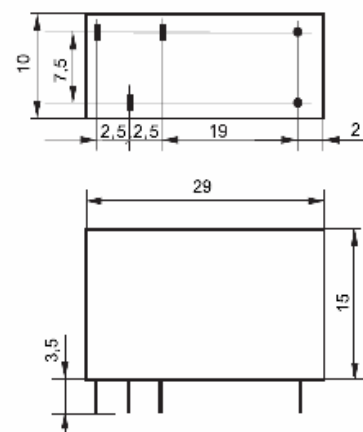
General Data		
Mechanical Life	> Operations	3 x 10 <sup>7</sup>
Electrical Life at Rated Voltage	> Operations	1 x 10 <sup>5</sup>
Max. Switching Frequency	Operations / h	3600
Operate Time / Release Time	approx. in ms	9 / 3
Test Voltage Contact / Coil	≥ VAC <sub>eff</sub>	4000
Test Voltage Contact Open	≥ VAC <sub>eff</sub>	1000
Creeping-/Leakage Distance	mm	8
Insulation IEC 60664	- Rated Voltage (VAC)	250
	- Degree of Pollutin	3
	- Excess Voltage Category	III
Insulation Group / Rated Voltage (VDE 0110b 2/79)		C / 250
Ambient Temperature	°C	-40...+70
Weight	gr.	10

Coil at + 20°C		
Rated Voltage	VDC	3...110
Power Consumption (DC - Coil)	approx. W	0,23...0,4

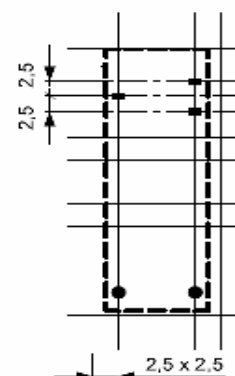
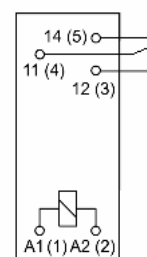
DC-Coil (0,4 W)		
U <sub>N</sub> (V)	R (Ohm)	U <sub>AN</sub> (V)
3	40 ± 10%	≤ 2,4
5	115 ± 10%	≤ 3,4
6	160 ± 10%	≤ 4,0
8	290 ± 10%	≤ 5,4
12	640 ± 10%	≤ 8,4
18	1450 ± 10%	≤ 12,6
24	2550 ± 10%	≤ 16,0
48	10250 ± 10%	≤ 33,5
110	31000 ± 10%	≤ 73,0

Other coil tensions on request.

Dimension Diagram

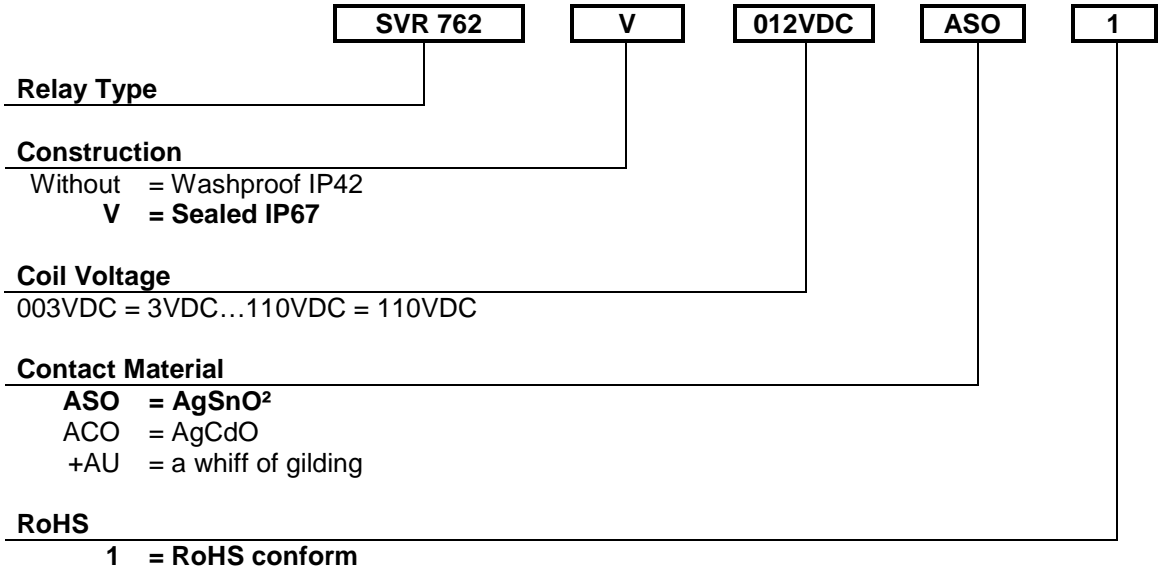


Schematic Diagram



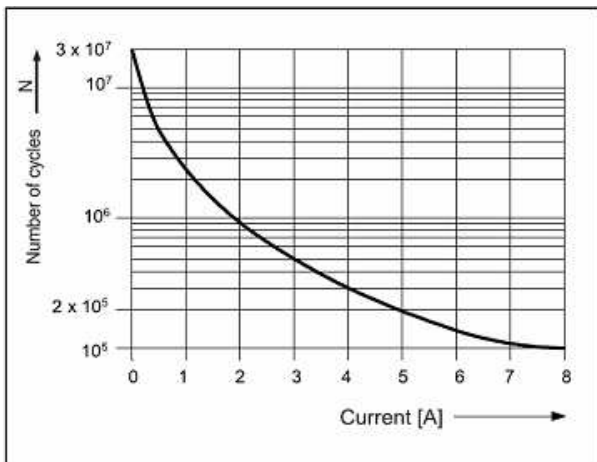
Viwe on circuit points. All measure in mm.

**Order Type**



**Electrical Specification**

Electrical Life at Rated Voltage  
by 250VAC, 360 Operations / h



Direct Current - Burden Limit

