

Reed-Relay SGR RE 01

Miniature – Reed-Relay 1 pole 0,5A

ELESTA

Technical Data

Contact Data

Type of Contact	Single Contact	
No. of Contacts	1A	
Max. Switching Voltage	VDC	100
Rated Current	A	0,5
Rated Breaking Capacity (cos φ = 1)	VA	10
Contact Material	Ru-Alloy	

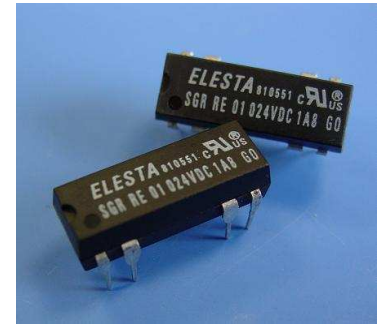
General Data

Mechanical Life	> Operations	1×10^8
Operate Time / Release Time	approx. in ms	0,5 / 0,5
Test Voltage Contact / Coil	$\geq V_{AC_{eff}}$	1000
Test Voltage Contact Open	$\geq V_{AC_{eff}}$	150
Ambient Temperature	°C	-40...+85
Approvals	C-UL	
Weight	gr.	2

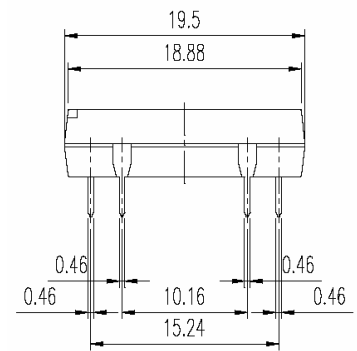
Coil at + 20°C

Rated Voltage	VDC	5...24
---------------	-----	--------

U_N (V)	R (Ohm)	P (mW)	U_{AN} (V)	U_{AB} (V)	U_{MAX} (V)	I (mA)
5	$500 \pm 10\%$	50	$\leq 3,75$	$\geq 0,80$	16	10
12	$1000 \pm 10\%$	144	$\leq 8,60$	$\geq 1,50$	24	12
24	$2000 \pm 10\%$	288	$\leq 17,50$	$\geq 2,50$	32	12

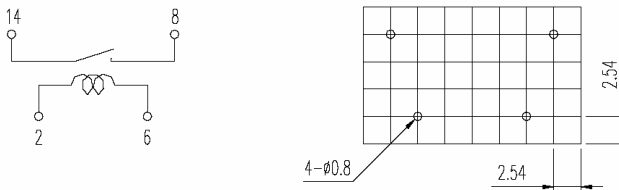


Dimension Diagram

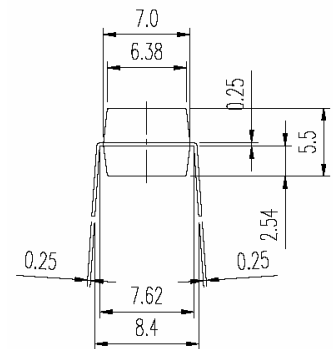
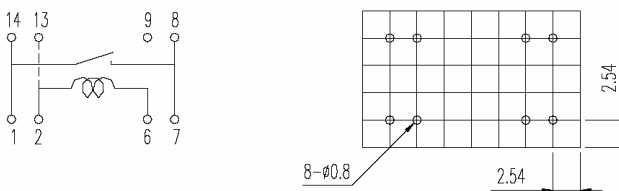


Schematic Diagram

Construction with 4 circuit points



Construction with 8 circuit points



All measure in mm.

Top View. All measure in mm.

Order Type

