

Special-Relay SGR 292 G ...

Bistable – High Power PCB-Relay 1 pole 40A - 80A

ELESTA

Technical Data

Contact Data

No. of Contacts		1A / 1B
Rated Current	A	80/60/40
Rated Breaking Capacity (cos φ = 1)	VA	20000/15000/10000
Contact Material		AgCdO



General Data

Mechanical Life	> Operations	10 ⁶
Electrical Life at rated Voltage	> Operations	10 ⁴
Operate Time / Release Time	approx. in ms	20 / 20
Test Voltage Contact / Coil	≥ VAC _{eff}	4000
Test Voltage Contact Open	≥ VAC _{eff}	1000
Creeping-/Leakage Distance	mm	8,4
Ambient Temperature	°C	-25...+70
Weight	gr.	33

Coil at + 20°C

Rated Voltage	VDC	9...24
Power Consumption	approx. W	1

DC-Coil (0,4 W)

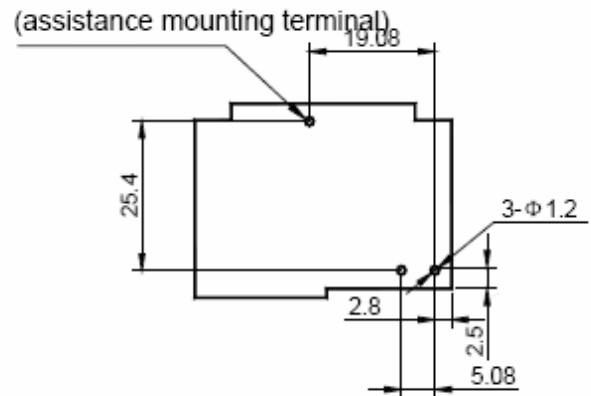
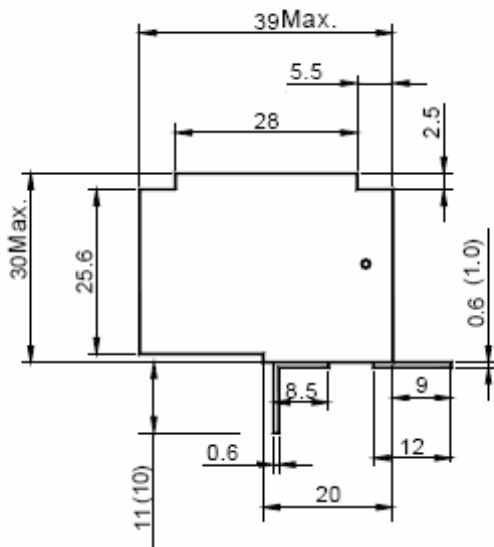
U _N (V)	R (Ohm)
9	81 ± 10%
12	144 ± 10%
24	576 ± 10%

Order Type

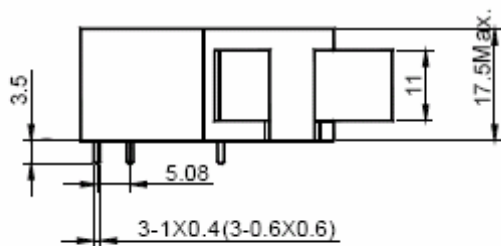
SGR 292 G	012VDC	1A	40	ACO	1
Relay Type					
Coil Voltage					
009VDC = 9VDC					
012VDC = 12VDC					
024VDC = 24VDC					
Type of Contact					
1A = 1 Normally Open Contact					
1B = 1 Normally Closed Contact					
Construction					
40 = 40 Ampere					
60 = 60 Ampere					
80 = 80 Ampere					
Contact Material					
ACO = AgCdO					
RoHS					
1 = RoHS conform					

Electrical Specification

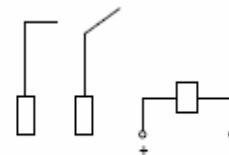
Dimension Diagram



View on circuit points.



Schematic Diagram



All measure in mm.

Contact switching capacity

