

Time-Relay SGR T02 1A 230VAC

Impulse Switch Mode 1pole 16A Off Delay

ELESTA

Technical Data

Functions
Impulse switch mode with off delay.
The control input allows the connection of pushbuttons with a glow lamp load up to 100mA and enables the application in 3- or 4-wire circuits. The unit can be switch-on and off via the connected pushbuttons.

Time Ranges	
Time	Adjustment Range
	6 to 60min

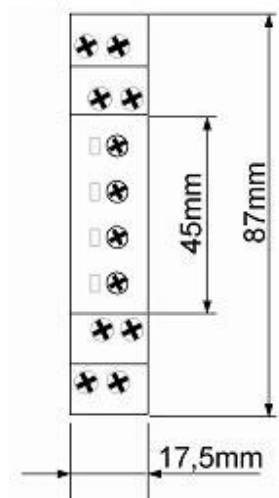
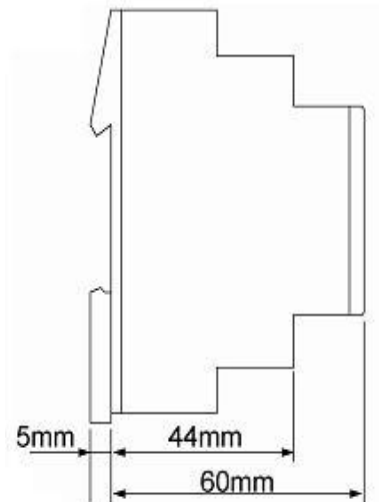
Indicators		
Green LED U	ON	Indication of supply voltage
Yellow LED	ON/OFF	Indication of relay output

Mechanical Design	
Housing	
Material	Self-extinguishing plastic
IP Rating	IP40
Mounting Parts	On DIN-Rail TS35 according to EN 50022
Mounting Position	Any
Circuit Points	
Kind/Construction	Shockproof terminal connection according to VBG 4
IP Rating	IP20
Tightening Torque	Max. 1Nm
Terminals Capacity	1 x 0.5 to 2.5mm ² with/without multicore cable end
	1 x 4mm ² without multicore cable end
	2 x 0.5 to 1.5mm ² with/without multicore cable end
	2 x 2.5mm ² flexible without multicore cable end

Input Circuit	
Supply Voltage	Terminals L - N
Tolerance	-15 to +10%
Rated Consumption	2VA (1.0W)
Rated Frequency	AV 48 to 63 Hz
Duty Cycle	100%
Reset Time	500ms
Drop-Out Voltage	>30%
Oversvoltage Category (according to IEC 60664-1)	III.
Rated Surge Voltage	4kV



Dimension Diagram



View on circuit points.

Time-Relay SGR T02 1A 230VAC

Impulse Switch Mode 1pole 16A Off Delay

ELESTA

Output Circuit	
Type of Contact	1 Normally Open Contact (Terminals L – 18)
Rated Voltage	250V AC
Switching Capacity (distance <5mm)	10A continuous current
Switching Capacity (distance >5mm)	16A continuous current
Mechanical Life	30×10^6
Electrical Life - Resistive Load - Lamp Load	10^5 operations at 16A 250V 80.000 operations at 1000W 250V

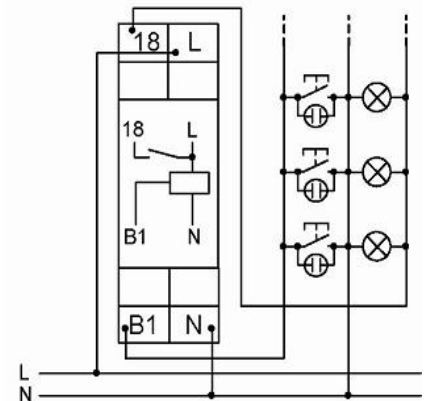
Control Input	
Connection not potential free	Pushbuttons B1-N (3-conductor circuit)
	Pushbuttons B1-L (4-conductor circuit)
Glow Lamp Load	Max. 100mA parallel to the pushbuttons
Overload Protection	Yes, electronic

Accuracy	
Base Accuracy	$\pm 5\%$ of maximum scale value
Adjustment Accuracy	<15% of maximum scale value
Repetition Accuracy	<2%
Voltage Influence	-
Temperature Influence	$\leq 1\%$

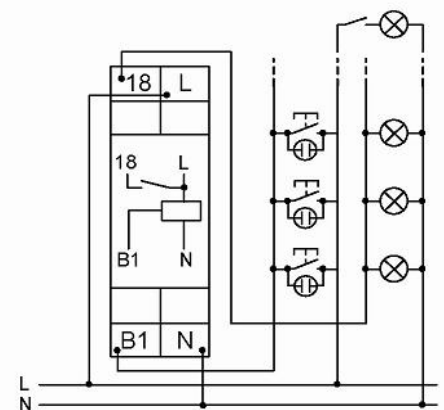
Weight	
Single Packing	57g

Ambient Conditions	
Ambient Temperature (according to IEC 68-1)	-25 to +55°C
Storage Temperature	-25 to +70°C
Transport Temperature	-25 to +70°C
Relative Humidity (according to IEC 721-3-3 class 3K3)	15% to 85%
Pollution Degree (according to IEC 664-1)	2, if built in 3
Vibration Resistance (according to IEC 68-2-6)	10 to 55 Hz 0.35mm
Shock Resistance (according to IEC 68-2-27)	15g 11ms

3-wire-circuit



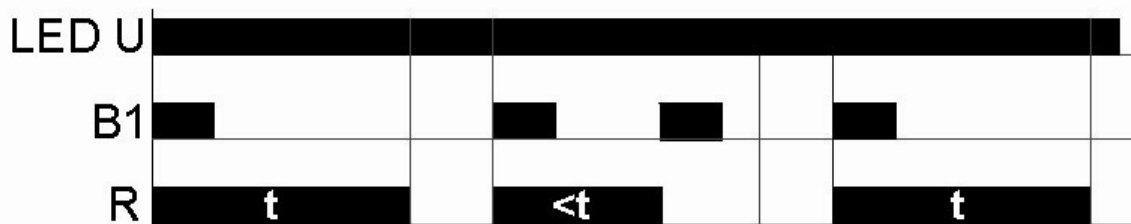
4-wire-circuit with
attic illumination



Functions

Impulse Switch Mode With Off Delay

In this mode, every keypress toggles the output relay [R] (flip-flop). After the pushbutton at [B1] has been pressed, the output relay [R] closes (terminals L-18 and yellow LED illuminated) and the set interval [t] begins. After the interval [t] has expired the output relay [R] switches into off-position (yellow LED not illuminated). If the pushbutton is pressed again before the interval [t] has expired, the interval [t] will be cancelled and the output relay [R] switches into off-position (yellow LED not illuminated).



Order Type

