

## Standard 8A

Miniature heavy-duty printrelay for the safe separation of light-duty control circuits and heavy-duty switching circuits.

### Designations for ordering

Standard execution SVR 432..VDC  
SVR 412..VDC

### Options

Contact material AgSnO<sub>2</sub>  
(see contact data sheet) AgCdO+Au4-6µm  
AgSnO<sub>2</sub>+Au4-6µm  
Remanence (latching)

### Accessories

none

### Contact data

(for curves see contact data sheet)

Contact material	AgCdO (Standard)
Type of contact	Single contact
Rated switching capacity	250 VAC 8A AC1 2000 VA 400 VAC 4A AC1 1600 VA
Electrical life	approx. 200'000 operations 250 VAC, 8A, AC1 (360 operations/h)
Inrush current max.	30A for 20 ms
Switching current range	100 mA to 8A
Switching capacity range *	8 VA(W) to 2000 VA
Contact resistance	≤ 50 mΩ when new

\* guide values

### General data

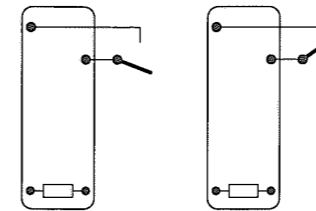
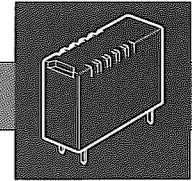
Mechanical life	> 30 x 10 <sup>6</sup> operations
Switching frequency, mechanical	20 Hz
Response time	typically 8 ms
Drop-out time	typically 1.5 ms
Bounce time of NO-contact	typically 1 ms
Bounce time of NC-contact	typically 2.5 ms
Shock	> 50 g
Electric strength	typically 6000 V <sub>eff</sub>
Test voltage - coil/contact	5000 V <sub>eff</sub>
Test voltage - contact open	1000 V <sub>eff</sub>
Insulation resistance	10 <sup>12</sup> Ohm
Weight	10 g
Mounting position	any
Ambient temperature	-40 to +85 °C

### Tests, regulations

Approvals	SEV, UL, CSA, DEMKO, SEMKO, PTB, VDE, FI
Tracking, air distances	> 8 mm VDE 0631 / 0730 CENELEC EN 50020
Flamability	UL 94 / VO
System of protection	IP 67, DIN 40050 (IEC 529)
Washproof	IEC 68, part 2-17, Qc2 (70 °C / 1 min)
Protection class II	VDE 0106
Insulation group	VDE 0110 / group C 250 VAC
Rules for electrical relays in power installations	VDE 0435 / 9.72
Safe separation of telecommunication and power installations	VDE 0804
Temperature controllers and limitation	VDE 0631
Use in household appliances	VDE 0700, VDE 0730
Tracking resistance of basic body	CTI 250 (DIN IEC 112)

# ELESTA

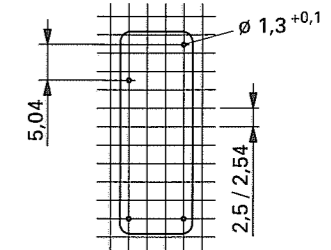
## SVR 432, 412



SVR 432

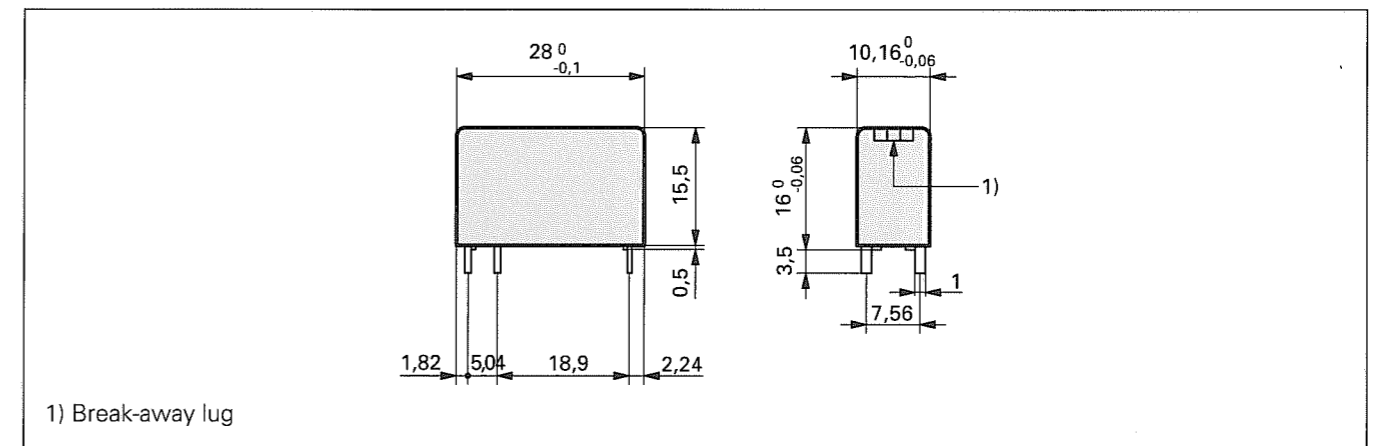
SVR 412

Connection diagram (view from top)

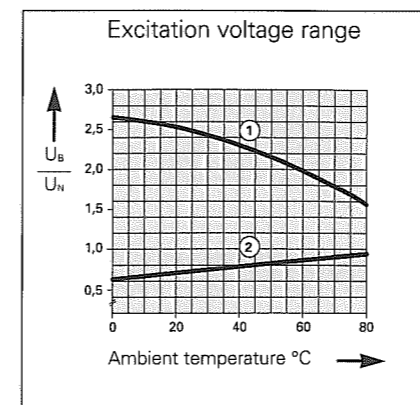


Drilling pattern (view from solder side)

### Dimensions drawing



### Coil data



Standard coils for direct current (other voltages on request)

Nominal-voltage VDC	Min. pick-up voltage at 20° C	Drop-out voltage at 20° C	Nominal-current mA	Resistance Ohm at 20° C	Tolerance %
5	3.5	≥ 0.25	45.5	110	+/-10
6	4.2	≥ 0.3	34.2	175	+/-10
12	8.4	≥ 0.6	16.2	740	+/-10
24	16.8	≥ 1.2	8.42	2'850	+/-15
48	33.6	≥ 2.4	4.80	10'000	+/-15

- No heat accumulation on PCB by self heating from other components
- Continuous duty 100%

- 1) Max. excitation voltage without contact load
- 2) Min. excitation voltage (guaranteed values) without previous operation